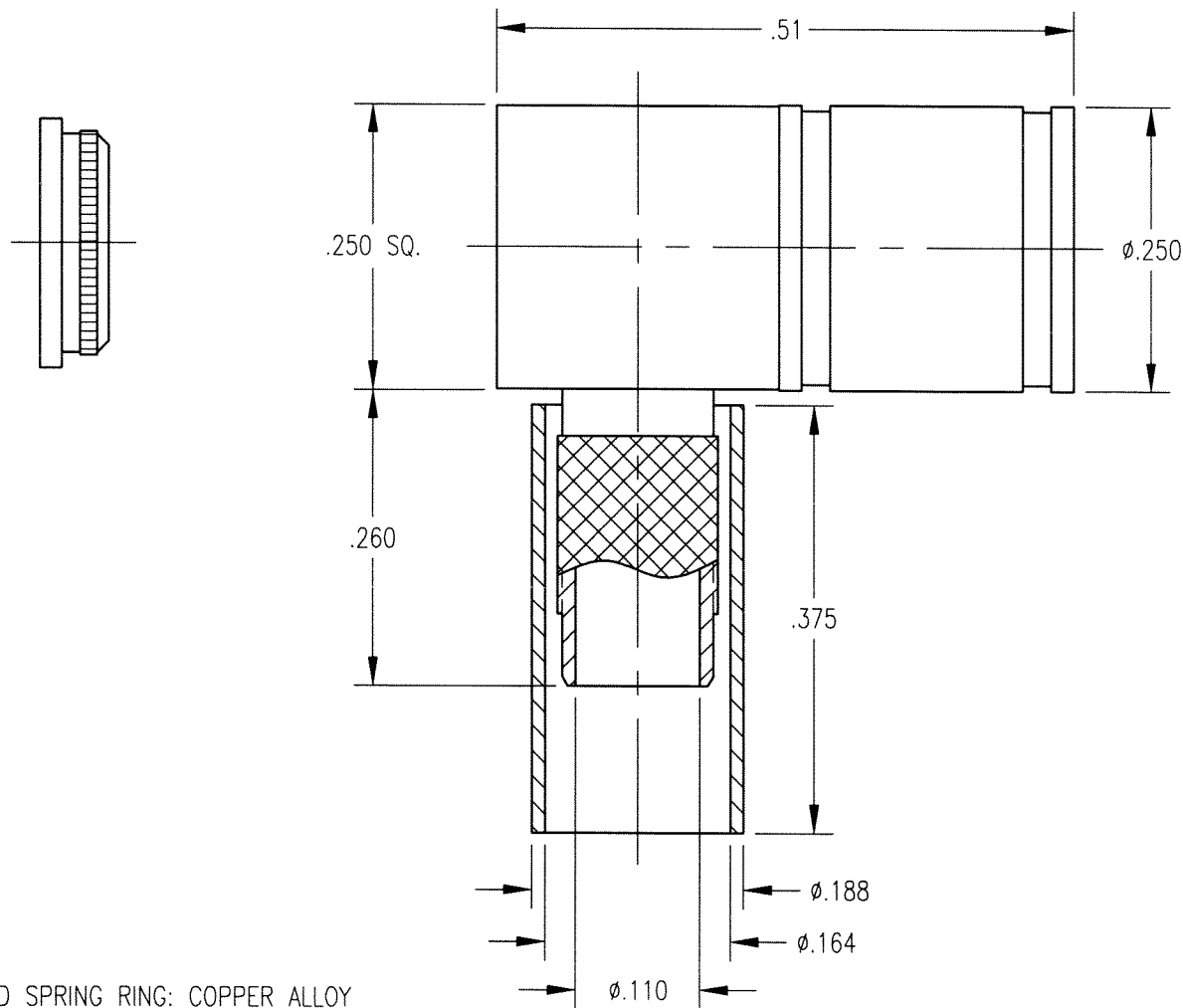


DWG. NO. 512-900-1107J

REV	DESCRIPTION	BY DATE	APPD
C	ECR 6849	MJF 6/1/01	[Signature]



NOTES:

- MATERIAL:
 CONTACT AND SPRING RING: COPPER ALLOY
 INSULATOR: TEFLON PER ASTM D1710
 ALL OTHER METAL PARTS: BRASS PER ASTM B16
- FINISH:
 CONTACT AND BODY: .000015 MIN. GOLD PER MIL-G-45204 OVER
 .000100 MIN. COPPER PER MIL-C-14550
 SHROUD AND CAP: .000005 MIN. GOLD PER MIL-G-45204 OVER
 .000100 MIN. COPPER PER MIL-C-14550
 FERRULE: .000100 MIN. BRIGHT TIN PER MIL-T-10727 OVER
 COPPER FLASH PER MIL-C-14550
- FOR CABLE ASSEMBLY USE CAP 9-06 WITH ABOVE TRIMMING DIMENSIONS.

PER ASME Y14.5M-1994 UNLESS OTHERWISE SPECIFIED: DIMENSIONS ARE IN INCHES [MM]		Litton	
TOLERANCES: DECIMALS xx ± .01/0.254 xxx ± .005/0.127 ANGLES ± 2'		Winchester/Retconn 450 Park Road Waterloo, Connecticut 06795	
SCALE: 6:1		TITLE	
CUSTOMER DRAWING		SMB RIGHT ANGLE PLUG	
DRAWN MJF	DATE 6/1/01	CHECKED [Signature]	DATE 6/1/01
APPROVED [Signature]	DATE 6/1/01	APPROVED [Signature]	DATE 6/1/01
A		512-900-1107J	SMT 1 OF 1 REV C